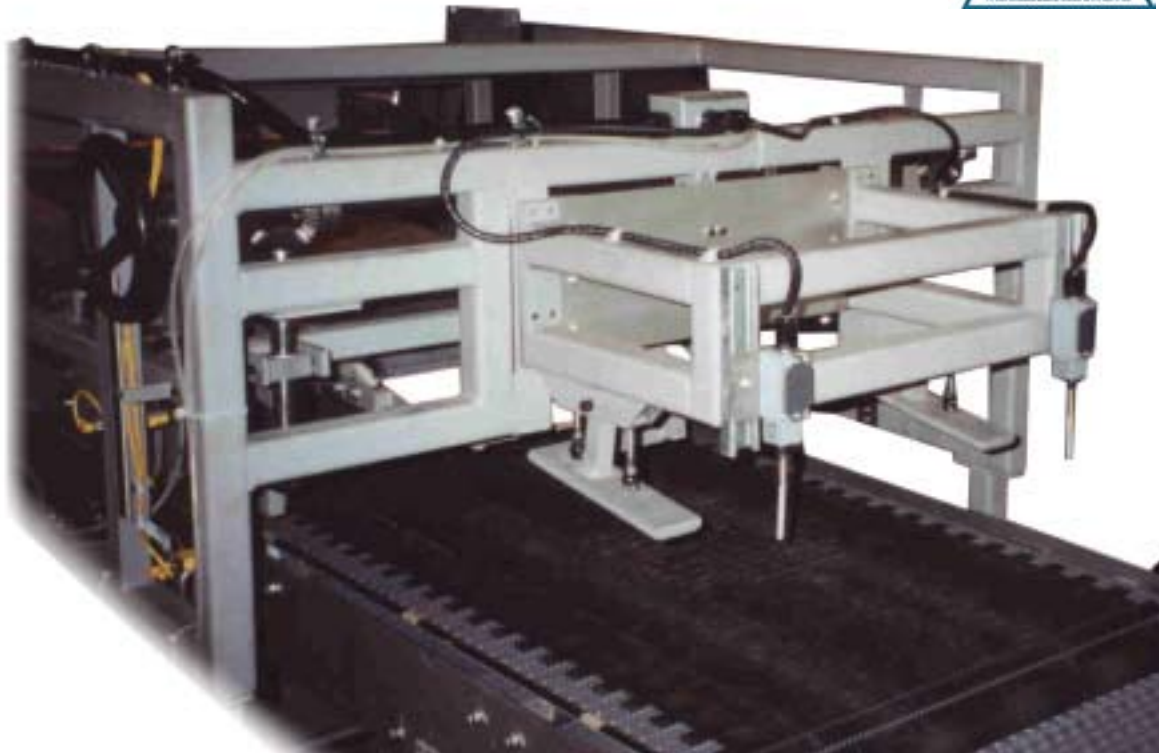


AMF

AUTOMATIC RELIDDER



- **Designed to Automatically Control the Alignment and Assembly of Pullman Pan Straps and Steel Lids**

FEATURES & BENEFITS

- Pans of proofed dough are conveyed to the machine at the lower level, while lids are conveyed open-end down from above
- A synchronized pan lid mechanism automatically controls the lidding cycle to assure an exact fit
- Relidder can be fitted over appropriate existing conveyor
- Heavy duty construction – quality materials and components assure high performance, minimum maintenance and longevity
- Up to 40 pan straps per minute
- Rate of lid flow and pan strap flow are synchronized on demand for exact fit
- Information regarding special designs/requirements available upon request

MECHANICAL FEATURES

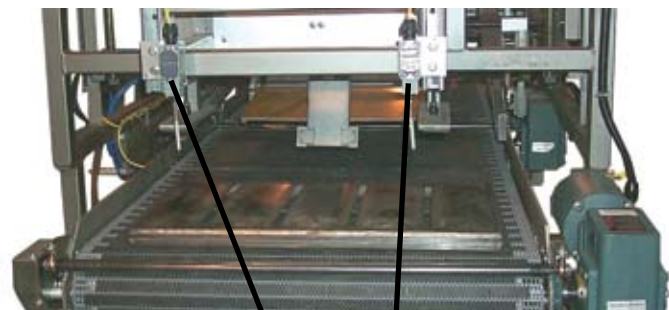
- Pans indexing conveyors
- Gravity lid pick-off and insert conveyor
- Pan strap size adjustments: Length from 18" (457 mm) to 36" (914 mm)
- Lid size adjustment: Width from 19" (483 mm) to 37" (939 mm)



Gravity Lid Pick-Off and Insert Conveyors

ELECTRICAL FEATURES

- Lid position sensors
- Gap detector on pans



Lid Sensors

OPTIONS

Mechanical Options

- Lid height adjustment for different pan size

Electrical Options

- Stand alone electrical controls with Allen Bradley 160 inverter and Allen Bradley SLC 5/03 processor



Lid Adjustment



Control Panel

SPECIFICATIONS

Air Requirements:

Clean dry air @ 80 PSI

1.5 SCFM

Total Connected Load:

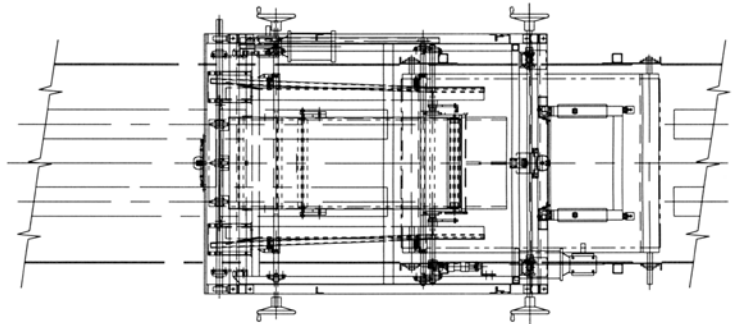
3.2 KVA

Approximate Shipping Weight:

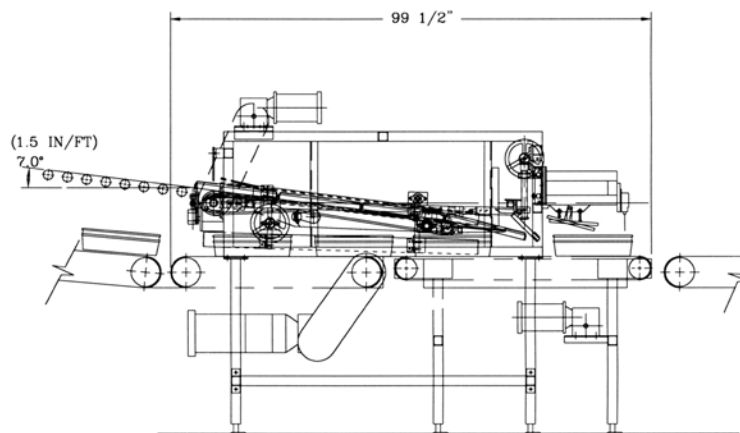
1,500 lb. (680 kg)

AUTOMATIC RELIDDER

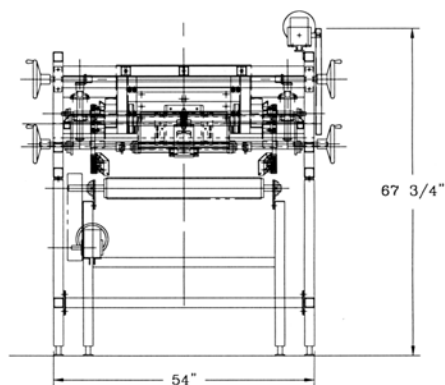
DIMENSIONAL DRAWING



PLAN VIEW



ELEVATION VIEW



SIDE VIEW

Headquarters:

2115 W. Laburnum Ave.
Richmond, Virginia 23227
Tel: 1-800-225-3771
or 1-804-355-7961
Fax: 1-804-342-9724
sales@amfbakery.com

Europe Office:

6 The Sidings
Station Road, Guiseley
Leeds LS20 8BX, England
Tel: 44-1943-875703
Fax: 44-1943-871806
sales-europe@amfbakery.com

Asia Office:

Room 15-2, A-Building
Thunis Dev. Building
No.11 Hui Xin East St.
Chaoyang District
Beijing, China 100029
Tel: 86-10-64823613
Fax: 86-10-64934259
sales-asia@amfbakery.com

FOR MORE INFORMATION PLEASE CALL YOUR ACCOUNT MANAGER OR

1-800-BAKERS-1
www.amfbakery.com

AMF's focus on continuous improvement may result in changes to machinery specifications without notice.