

# AMF

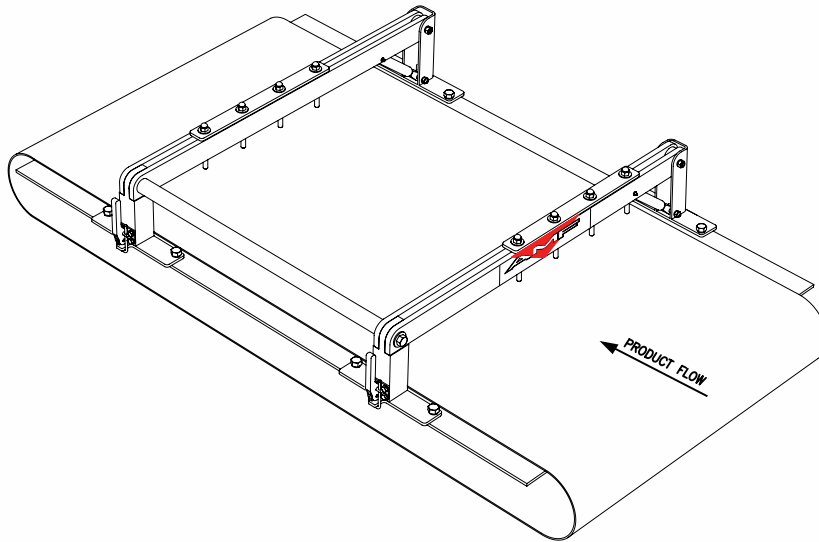


## Hinged Rounder Bar Lift Kit



- ▼ ***This kit is designed to provide easy access to the rounding area on your existing AMF Bun Rounding System.***
- ▼ ***Reduce the potential injury of Operation, Sanitation and Maintenance personnel who service and maintain the Rounding System in your plant!***

## Hinged Rounder Bar Lift Kit



Rounder Bar Lift Kit, K400 w/o PBars (shown)



### Installation

- Installation in less than 1 hour
- No cutting or welding required
- Custom designed for your model rounder
- Complete detailed installation instructions provided
- Quality AMF installation available, at additional costs

### Kit Includes

- Aluminum and stainless steel frame and mounting hardware
- Maintenance free, no bleed "Hydro-Lift" Gas Lifting Springs
- Stainless steel lockdown clamps
- Complete detailed installation instructions provided

### Part No. & Description

41300960	Hinged Rounder Bar Lift Kit with Pressure Bars, K-400
41300962	Hinged Rounder Bar Lift Kit with Pressure Bars, K-600
41300961	Hinged Rounder Bar Lift Kit with Pressure Bars, Model U400
41300965	Hinged Rounder Bar Lift Kit without Pressure Bars, K-400
41300967	Hinged Rounder Bar Lift Kit without Pressure Bars, K-600
41300966	Hinged Rounder Bar Lift Kit without Pressure Bars, Model U400

**Headquarters:**  
2115 Laburnum Ave.  
Richmond, Virginia 23227  
Tel: 1-800-255-3771  
or 1-804-355-7961  
Fax: 1-804-342-9724  
[sales@amfbakery.com](mailto:sales@amfbakery.com)

**Europe Office:**  
6 The Sidings,  
Station Road, Guiseley  
Leeds LS20 8BX  
England  
Tel: 44 (0) 1943 875703  
Fax: 44 (0) 1943 871806  
[sales-europe@amfbakery.com](mailto:sales-europe@amfbakery.com)

**Asia Office:**  
Room 15-2, A-Building,  
Thunis Dev. Building,  
No.11 Hui Xin East Street,  
Chaoyang District  
Beijing, China 100029,  
P.R. China  
Tel: 86-10-64823613  
Fax: 86-10-64934259  
[sales-asia@amfbakery.com](mailto:sales-asia@amfbakery.com)

FOR MORE INFORMATION PLEASE CALL YOUR ACCOUNT MANAGER OR

**1-800-BAKERS-1**  
**www.amfbakery.com**

AMF's focus on continuous improvement may result in changes to machinery specifications without notice.