

# VERSAPAK SERIES A ARTICULATING ARM CARTON/CASE PACKER



## FEATURES AND BENEFITS

- **Ultra compact footprint** with nearly 100% useable space
- Sanitary stainless design - **available in washdown duty**
- **Zero maintenance design** - no adjustments required
- Easy to use PLC controls - **A-B CompactLogix**

# VersaPak Series A

## MECHANICAL FEATURES

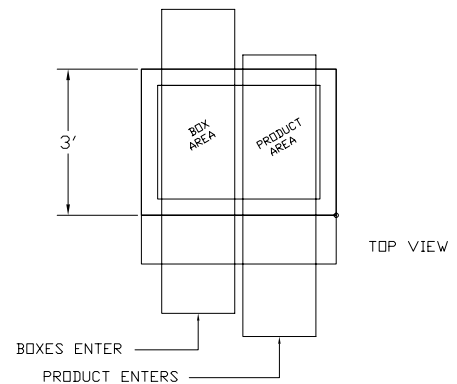
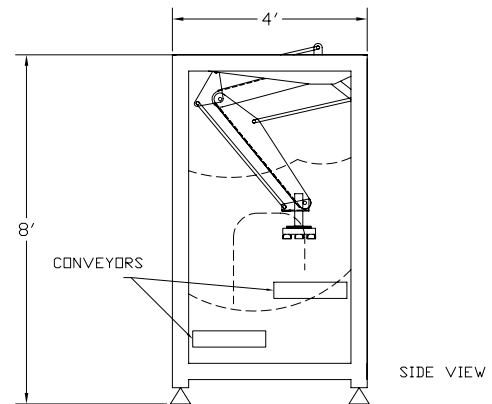
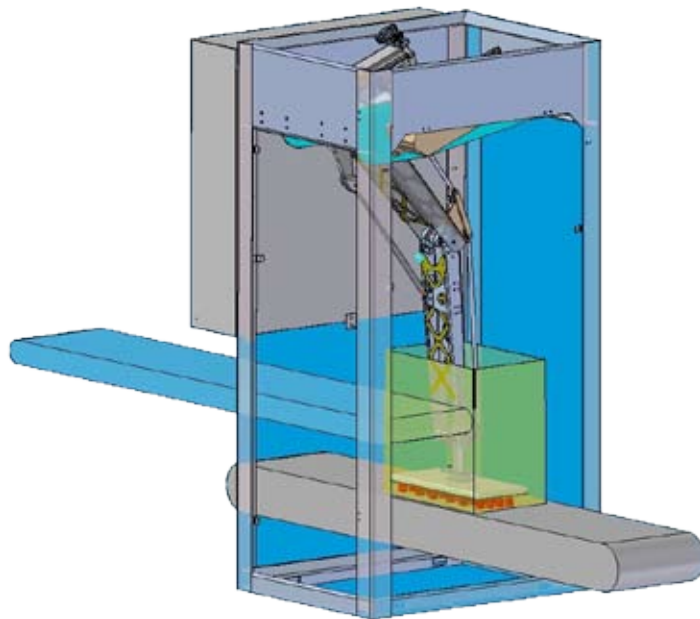
- Articulated arm
- Zero maintenance design requiring no adjustments
- Sanitary design without horizontal surfaces
- Interlocked Lexan guarding
- Small footprint (4' x 3') (1.22 m x .91 m) with almost 100% useable space for product and boxes

## ELECTRICAL FEATURES

- NEMA 4X Rated
- Class III safety interlocked
- Allen Bradley CompactLogix PLC
- Allen Bradley PanelViewPlus 700 operator interface

## SPECIFICATIONS

- Pick and Place Rate: 35 picks per minute (product dependent)
- Payload Weight: Up to 50 lbs. (22.7 kg)(tool plus product)
- 4' x 3' (1.22 m x .91 m) footprint



AUTOMATION TECHNOLOGIES

### Headquarters:

2115 West Laburnum Avenue  
Richmond, Virginia 23227  
Tel: 1-800-225-3771  
or 804-355-7961  
Fax: 1-804-342-9724  
[sales@amfautomation.com](mailto:sales@amfautomation.com)

### Europe Office:

West Park Ring Road  
Leeds LS16 6QQ  
England  
Tel: 44-1132-787110  
Fax: 44-1132-741415

FOR MORE INFORMATION PLEASE CALL YOUR ACCOUNT MANAGER OR

**1-800-225-3771**  
**[www.amfautomation.com](http://www.amfautomation.com)**

AMF's focus on continuous improvement may result in changes to machinery specifications without notice.